



12LSX-24

12V 24Ah

Design lifetime: 10 years



Q-Batteries 12LSX-24 is an AGM battery with extended design lifetime of 10 years. It is designed for stand-by applications such as emergency-lighting or UPS-systems.

Application:

burglar-systems, UPS-systems,
emergency-lighting-systems



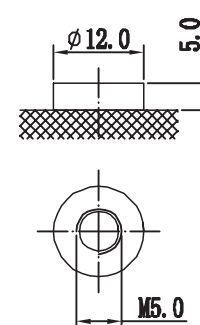
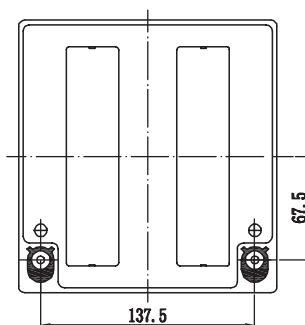
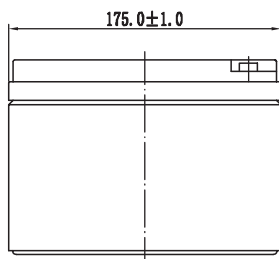
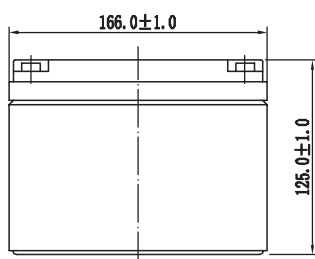
Specification:

| | | | |
|-----------------------------|---------------|--------------|---------------|
| Voltage Per Unit | 12 V | | |
| Capacity | 24 Ah (10 h) | | |
| Cells Per Unit | 6 | | |
| Weight | 8.1 kg +/- 3% | | |
| Max. Discharge Current | 240A (5 sec.) | | |
| Short circuit current | 850A | | |
| Operating Temperature Range | Discharge: | Charge: | Storage: |
| Normal | - 20°C – 60°C | -10°C – 60°C | - 20°C – 60°C |

Self Discharge Valve Regulated Lead Acid (VRLA) batteries can be stored for more than 6 months at 25°C. Self-discharge ratio less than 3% per month at 25°C. Please charge batteries before using.

| | |
|--------------------|------------------|
| Terminal | F13 |
| Container Material | A.B.S. (UL94-HB) |

Dimensions: 166 mm Length x 175 mm Width x 125 mm Height



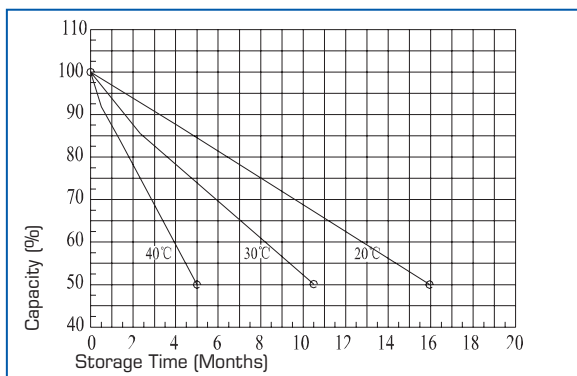
Constant current discharge characteristics: A (25°C)

| F.V / Time | 5 MIN | 10 MIN | 15 MIN | 30 MIN | 1 HR | 3 HR | 5 HR | 10 HR | 20 HR |
|------------|-------|--------|--------|--------|------|------|------|-------|-------|
| 1.60V | 85.0 | 60.0 | 46.0 | 27.9 | 15.8 | 6.8 | 4.5 | 2.6 | 1.2 |
| 1.65V | 79.5 | 56.3 | 43.3 | 26.3 | 15.1 | 6.54 | 4.34 | 2.52 | 1.19 |
| 1.70V | 74.0 | 52.5 | 40.5 | 24.7 | 14.4 | 6.31 | 4.24 | 2.48 | 1.17 |
| 1.75V | 68.5 | 48.8 | 37.8 | 23.1 | 13.7 | 6.09 | 4.13 | 2.44 | 1.16 |
| 1.80V | 63.0 | 45.0 | 35.0 | 21.5 | 13.0 | 5.86 | 4.02 | 2.40 | 1.14 |

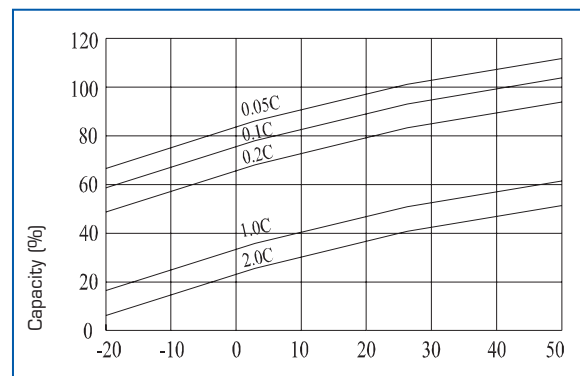
Constant current discharge characteristics: Watt (25°C)

| F.V / Time | 5 MIN | 10 MIN | 15 MIN | 30 MIN | 45 MIN | 1 HR | 2 HR | 3 HR | 5 HR |
|------------|-------|--------|--------|--------|--------|------|------|------|------|
| 1.60V | 150 | 107 | 82.2 | 50.0 | 36.5 | 29.0 | 17.7 | 13.0 | 8.83 |
| 1.65V | 141 | 101 | 77.7 | 47.4 | 34.8 | 27.9 | 17.1 | 12.6 | 8.62 |
| 1.70V | 131 | 94.3 | 73.1 | 44.8 | 33.0 | 26.8 | 16.4 | 12.2 | 8.42 |
| 1.75V | 122 | 87.9 | 68.6 | 42.1 | 31.3 | 25.6 | 15.8 | 11.8 | 8.21 |
| 1.80V | 112 | 81.5 | 64.0 | 39.5 | 29.5 | 24.5 | 15.1 | 11.4 | 8.00 |

Storage characteristic:



Capacity Factors with different Temperature:



Charging Method:

Charge the batteries at least once every six months, if they are stored at 25°C

Constant Voltage (V)
 -0.2C x 2h + 2.4-2.45V/Cell x 24h, max. Current 0.3CA

Constant Current (A)
 -0.2C x 2h + 0.1CA x 12h

Fast
 -0.2C x 2h + 0.3CA x 4.0h