



## 12LS-120S

12V 115Ah

Design lifetime 10 years



The Q-Batteries LS series are valve regulated and maintenance-free AGM batteries (Absorbent glass mat technology), which have been developed especially for stand-by applications, such as in security technology, fire alarm technology or UPS. The batteries are characterized by excellent energy storage properties and a high level of reliability.

### Application:

burglar-systems, UPS-systems,  
telecommunication-systems

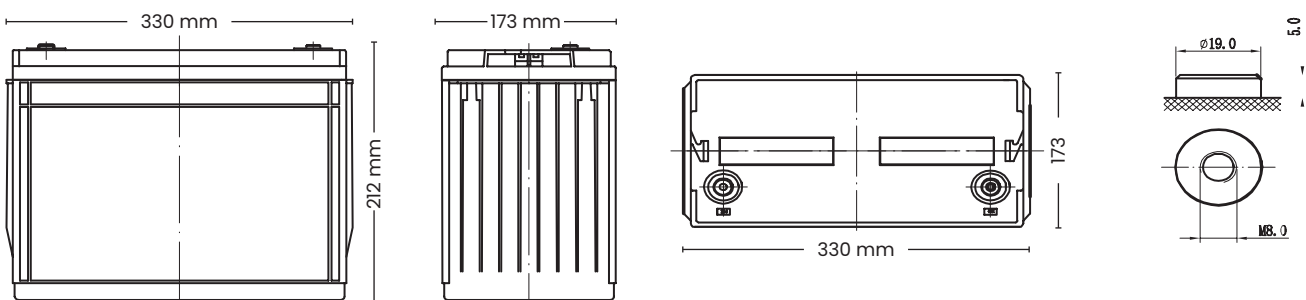


### Specification:

Voltage Per Unit	12 V		
Capacity	115 Ah (20 h) cell voltage 1.75V / cell		
Cells Per Unit	6		
Weight	ca. 31,5 kg +/- 5%		
Max. Discharge Current	1.100 A (5 sec.)		
Internal Resistance	ca. 4m $\Omega$		
Operating Temperature Range	Discharge:	Charge:	Storage:
Normal	- 15°C ~ 50°C	-10°C ~ 50°C	-20°C ~ 50°C
Operating Temperature Range	20°C $\pm$ 5°C		
Self Discharge	Valve Regulated Lead Acid (VRLA) batteries can be stored at approx. 25°C for up to 6 months. Self-discharge ratio less than 3% per month at 25°C. Please charge batteries before using.		
Terminal	F12 (M8)		
Technology	AGM, Absorbent glass mat technology		
Container Material	A.B.S. (UL94-HB)		

### Dimensions:

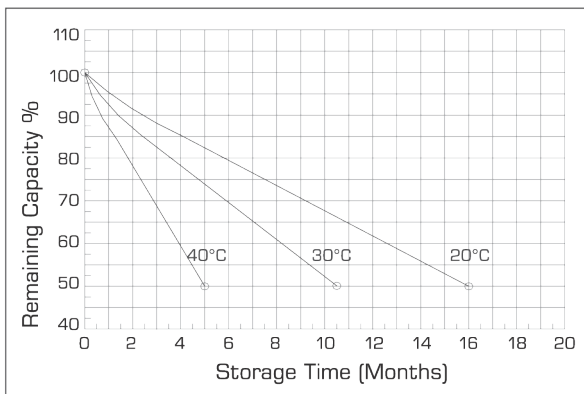
330 Length x 173 Width x 212 mm (max. 220mm) Height



## Constant current discharge characteristics: A (25°C)

F.V/Time	5Min.	10 Min.	15 Min.	30 Min.	1 H	2 H	3 H	4 H	5 H	8 H	10 H	20 H
1.85V	138.3	108.7	97.2	60.2	43.6	36.7	26.9	21.1	18.3	12.4	10.3	5.46
1.80V	156.7	122.9	105.9	62.4	45.1	37.9	29.2	28.0	19.3	13.1	11.0	5.66
1.75V	169.6	132.7	106.0	65.5	47.4	39.9	29.8	23.0	19.8	13.1	11.1	5.72
1.70V	180.2	140.7	110.2	66.8	48.4	40.7	30.4	23.4	19.9	13.3	11.2	5.77
1.67V	185.4	144.5	111.8	67.7	49.1	41.3	30.6	23.7	20.4	13.5	11.3	5.85
1.60V	191.2	148.3	113.4	68.7	49.8	41.9	30.9	24.0	20.6	13.7	11.4	5.91

## Storage characteristic:



## Capacity Factors with different Temperature:

Battery Type		-20°C	-10°C	0°C	5°C	10°C	20°C	25°C	30°C	40°C	45°C
GEL Battery	6V & 12V	50%	70%	83%	85%	90%	98%	100%	102%	104%	105%
	2V	60%	75%	85%	88%	92%	99%	100%	103%	105%	106%
AGM Battery	6V & 12V	46%	66%	76%	83%	90%	98%	100%	103%	107%	109%
	2V	55%	70%	80%	85%	92%	99%	100%	104%	108%	110%