



12LH-36W

12V 35.7W



Q-Batteries Akku 12LH-30W is an AGM battery which is specifically designed for high discharge current. Because of the big size lead plates it's possible to achieve high discharge currents.

Application:

USV, UPS, u.v.m.

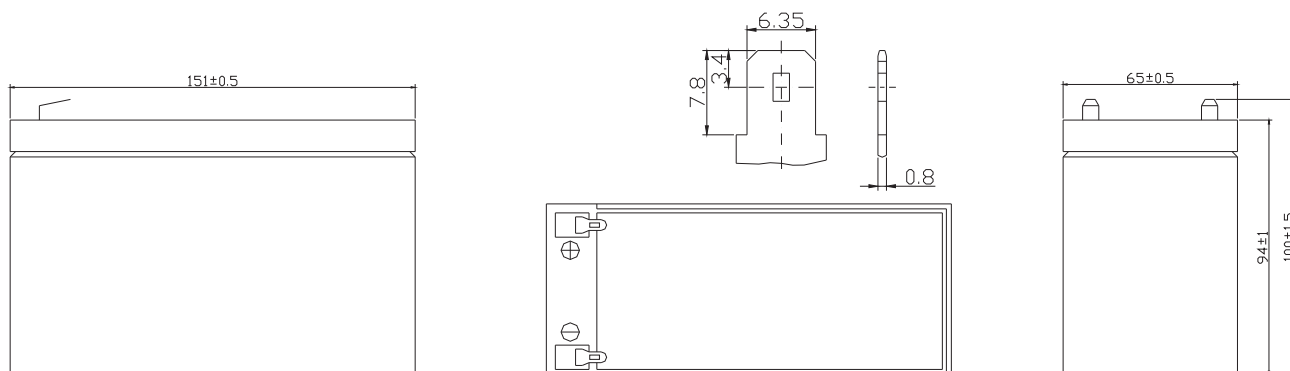


Specification:

Voltage Per Unit	12V		
Capacity (w)	35.7W (15 min) cell voltage 1.65V		
Capacity (Ah)	9Ah (20h)		
Cells Per Unit	6		
Weight	ca. 2,63 kg +/- 3%		
Max. Discharge Current	90 A (5 sec.)		
Internal Resistance	ca. 18m Ω		
Float charging Voltage	13,7 – 13,9 VDC bei \varnothing 25°C		
Operating Temperature Range Normal	Discharge: - 20°C – 60°C	Charge: 0°C – 50°C	Storage: - 20°C – 60°C
Operating Temperature Range	25°C \pm 5°C		
Self Discharge	Valve Regulated Lead Acid (VRLA) batteries can be stored for more than 6 months at 25°C. Self-discharge ratio less than 3% per month at 25°C. Please charge batteries before using.		
Terminal	F2		
Container Material	A.B.S. (UL94-HB)		

Dimensions:

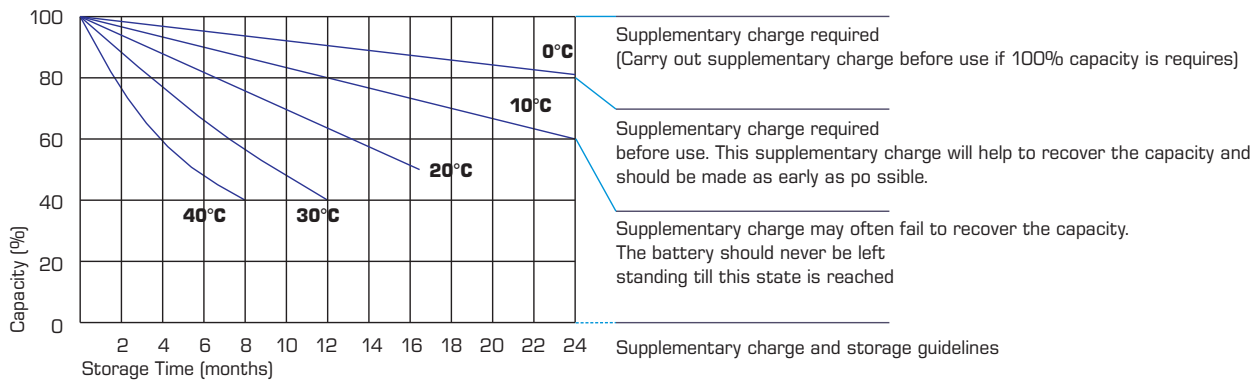
151 Length x 65 Width x 93,5 mm Height



Constant current discharge characteristics: A (25°C)

F.V / Time	5 MIN	8 MIN	10 MIN	15 MIN	20 MIN	30 MIN	60 MIN	90 MIN
9.60V	41.27	30.51	26.06	20.79	15.51	11.43	6.438	5.083
10.0V	40.00	29.78	25.33	20.31	15.04	11.18	6.372	5.023
10.2V	38.69	27.89	23.82	19.51	14.72	10.92	6.173	4.891
10.5V	37.36	25.81	21.76	18.52	14.11	10.55	5.947	4.836
10.8V	34.49	23.96	19.48	17.69	13.72	9.20	5.721	4.682
11.1V	31.62	22.11	17.21	16.85	13.33	8.40	5.495	4.527

Storage characteristic:



Capacity Factors with different Temperature:

Battery Type		-20°C	-10°C	0°C	5°C	10°C	20°C	25°C	30°C	40°C	45°C
GEL Battery	6V & 12V	50%	70%	83%	85%	90%	98%	100%	102%	104%	105%
	2V	60%	75%	85%	88%	92%	99%	100%	103%	105%	106%
AGM Battery	6V & 12V	46%	66%	76%	83%	90%	98%	100%	103%	107%	109%
	2V	55%	70%	80%	85%	92%	99%	100%	104%	108%	110%

Charging Method:

Charge the batteries at least once every six months, if they are stored at 25°C

Constant Voltage (V)	-0.2C x 2h + 2.4-2.45V/Cell x 24h, max. Current 0.3CA
Constant Current (A)	-0.2C x 2h + 0.1CA x 12h
Fast	-0.2C x 2h + 0.3CA x 4.0h