



# 6DC-390

6V 390Ah

The DC batteries from the brand Q-Batteries are special deep cycle batteries which are designed for intensive cyclic discharge usage. Because of the very thick lead plates it's possible to achieve more cycles and longer lifetime.

### Application:

golf cart, vehicle lifts, u.v.m.

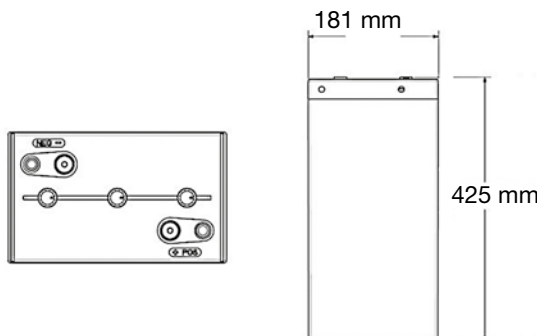
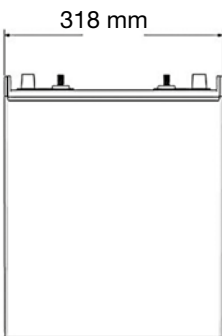


### Specification:

Voltage Per Unit	6V		
Capacity	390Ah at 20 heures discharge		
Cells Per Unit	3		
Weight	ca. 51kg +/- 3%		
Trickle charge	6.50 – 6.70V		
Operating Temperature Range	Discharge:	Charge:	Storage:
	- 20°C – 60°C	0°C – 50°C	- 20°C – 60°C
Normal Operating Temperature Range	20°C ± 5°C		
Self Discharge	Valve Regulated Lead Acid (VRLA) batteries can be stored for more than 3 months at 20°C. Please charge batteries before using.		
Terminal	Dual Pol (DP) / DT		
Number of cycles	1.200 cycles at 50 % D.O.D.		

### Dimensions:

318 Length x 181 Width x 425 mm Height



Dual Pol (DP) / DT

