



motorcycle battery 512 14

YTX14-BS 12V 12Ah; 200A (EN)



The Q-Batteries motorcycle YT series with AGM (Absorbent Glass Mat) technology is wet or dry pre-charged. The batteries convince with a good charging acceptance and vibration resistant performance.

Application:

motorcycles, lawn mowers, jet skies

Features:

- maintenance free
- vibration resistant
- AGM technology (Absorbent Glass Mat)

Specification:

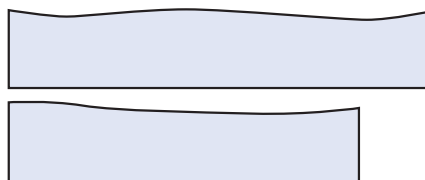
Voltage:	12V
Capacity:	12Ah
CCA (Cold Cranking Amps):	200A (EN)
Weight:	4,6 kg +/- 3%
Terminal:	Y5
Circuit:	1 (positive pole left)
Hold down:	B00

Dimensions:

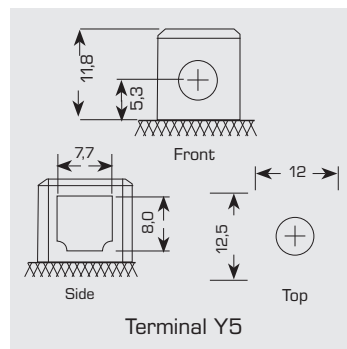
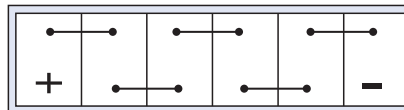
150mm Length x 87mm Width x 145mm Height



Base hold down B00



Layout 1



Liability is excluded for all printing errors and omissions.

Subject to errors and prior sale. Illustration similar.

07/2017