



# motorcycle battery 510 12

YTX12-BS 12V 10Ah; 180A (EN)



The Q-Batteries motorcycle YT series with AGM (Absorbent Glass Mat) technology is wet or dry pre-charged. The batteries convince with a good charging acceptance and vibration resistant performance.

## Application:

motorcycles, lawn mowers, jet skies

## Features:

- maintenance free
- vibration resistant
- AGM technology (Absorbent Glass Mat)

## Specification:

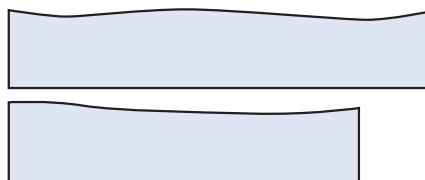
Voltage:	12V
Capacity:	10Ah
CCA (Cold Cranking Amps):	180A (EN)
Weight:	4,2 kg +/- 3%
Terminal:	Y5
Circuit:	1 (positive pole left)
Hold down:	B00

## Dimensions:

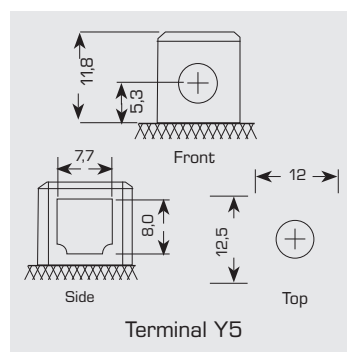
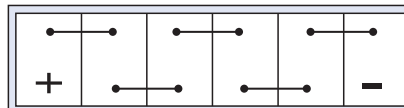
150mm Length x 87mm Width x 130mm Height



Base hold down B00



Layout 1



Liability is excluded for all printing errors and omissions.  
Subject to errors and prior sale. Illustration similar.  
07/2017