



motorcycle battery

YBX20L-BS 12V 18Ah; 270A (EN)



The Q-Batteries motorcycle YT series with AGM (Absorbent Glass Mat) technology is wet or dry pre-charged. The batteries convince with a good charging acceptance and vibration resistant performance.

Application:

motorcycles, lawn mowers, jet skies

Features:

- maintenance free
- vibration resistant
- AGM technology (Absorbent Glass Mat)

Specification:

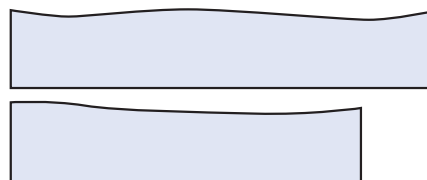
Voltage:	12V
Capacity:	18Ah
CCA (Cold Cranking Amps):	270A (EN)
Weight:	6,4 kg +/- 3%
Terminal:	Y5
Circuit:	0 (positive pole right)
Hold down:	B00

Dimensions:

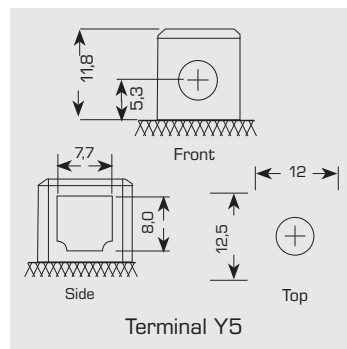
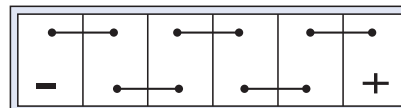
175mm Length x 87mm Width x 155mm Height



Base hold down B00



Layout 0



Liability is excluded for all printing errors and omissions.
 Subject to errors and prior sale. Illustration similar.
 07/2017