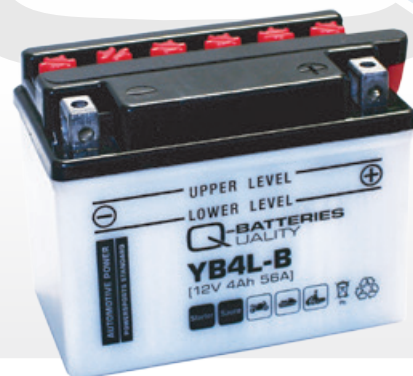




# motorcycle battery 504 11

YB4L-B 12V 4Ah; 56A (EN)



The Q-Batteries 12V motorcycle batteries provide reliable performance and extended life for many types of motorcycles and other small vehicles. They are easy to install, have a robust construction and are ready for any weather condition.

The YB series are lead-acid batteries with very good cold-start performance. The batteries are pre-charged and are sold with a separate acid pack. When upright structure tilted and leakproof, these batteries provide excellent starting power in extreme weather conditions.

## Application:

motorcycles, lawn mowers, jet skies

## Features:

- maintenance free
- durable
- high capacity

## Specification:

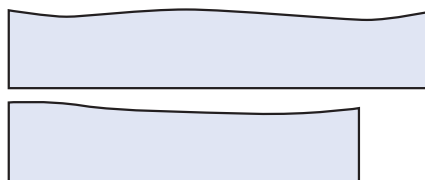
Voltage:	12V
Capacity:	4Ah
CCA (Cold Cranking Amps):	56A (EN)
Weight:	1,61 kg +/- 3%
Terminal:	Y5
Circuit:	0 (positive pole right)
Hold down:	B00

## Dimensions:

120mm Length x 70mm Width x 92mm Height

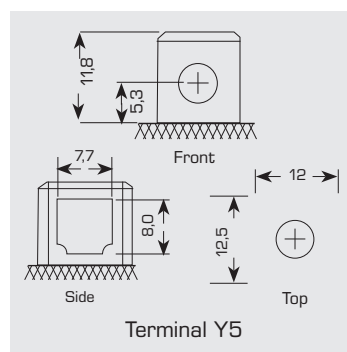
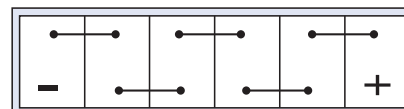


Base hold down B00



Layout

0



Liability is excluded for all printing errors and omissions.

Subject to errors and prior sale. Illustration similar.

07/2017